

## T20P

Entry Level Office IP phone

Low cost 2-Line IP phone

HD Voice

PoE 2

Headset Port



The T20P features a 2 line LCD display and 5 function keys for simple integration into various SIP based network solutions where basic business feature requirements and demanding budgets are the main influences on buying decisions.

# T20P

## Voice Features

Wideband Codec: G.722, voice spectrum between 50-7000Hz  
Narrowband Codecs: G.711, G.726, G.723.1/iLBC, G.729AB and GSM VAD, CNG, AEC, PLC, AJB, AGC  
Full-duplex hands-free speakerphone

## Telephony Features

Call Hold, Call Waiting, Call Transfer, Call Forward  
Caller ID, Call List, DND, Redial, Flash  
3-way Conference, Speed Dial  
Personal Ring Tone, Voicemail  
Volume Adjustment, Mute, Speakerphone

## IP PBX System Integration

Dial Plan, Dial-now, Paging  
Downloadable enterprise phonebook  
Call Park, Call Pickup, Distinctive Ringtone  
Auto-answer, intercom

## Config, Upgrade and Usage

Firmware Upgrade: TFTP/Console/Auto-provision  
Auto-provision: TR069 Optional  
Direct IP call without SIP proxy  
Dial number via SIP server  
Dial URL via SIP server

## Security

Secure RTP  
Digest authentication using MD5/MD5-  
sess  
Secure configuration file via AES  
encryption

## Physical Features

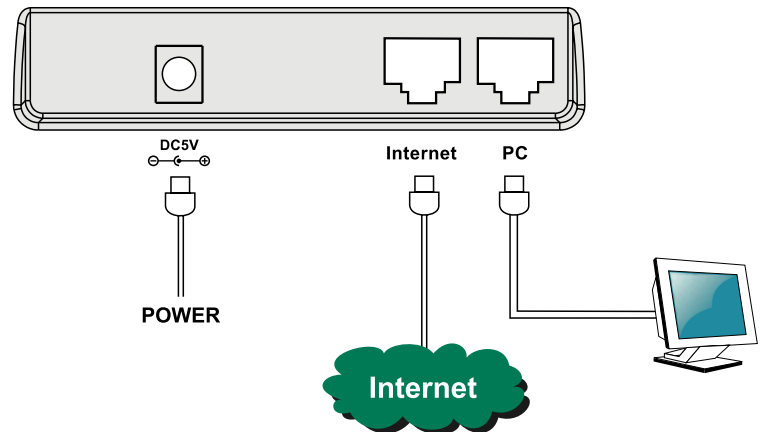
TI Titan Chipset  
LCD: 2 Lines, 2x16  
2 programmable keys  
23 hard keys, 2 indication LEDs  
Headset port: RJ9  
Network Interface: 2xRJ45 10/100M ports  
Dimension: 185 X 200 X 90 mm  
Net Weight: 1.22 kg  
Power adapter: Input: AC 100~240V  
Output: DC 5V/1A  
Operating humidity: 10~95%  
Storage temperature: up to 60 C

## Package Features

Qty per Carton: 10 PCS  
Carton Weight:  
Carton Dims: 565 x 570 x 255MM

## Certifications

WEEE



# Yealink

EASY VoIP

Yealink (UK) Ltd, Pennine House, Salford Street, Bury, Lancashire, BL9 6YA, United Kingdom  
Tel: +44 (0)161 763 2060 Email: sales@yealink.co.uk Web: www.yealink.co.uk

Due to our policy of continuous product improvement, all specifications may be subject to change without prior notice